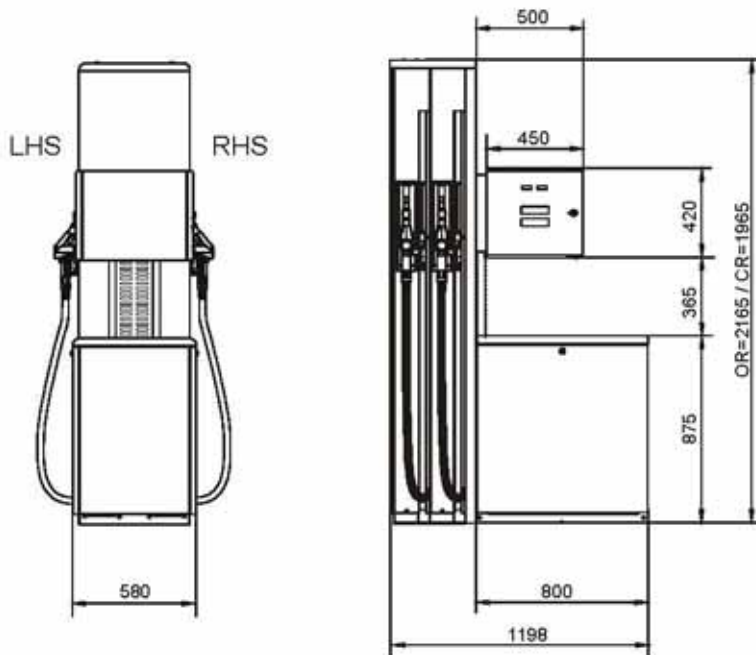


Overall Dimensions

2 Products, 40 l/min, Suction or STP,
with Vap. Rec. & Preset

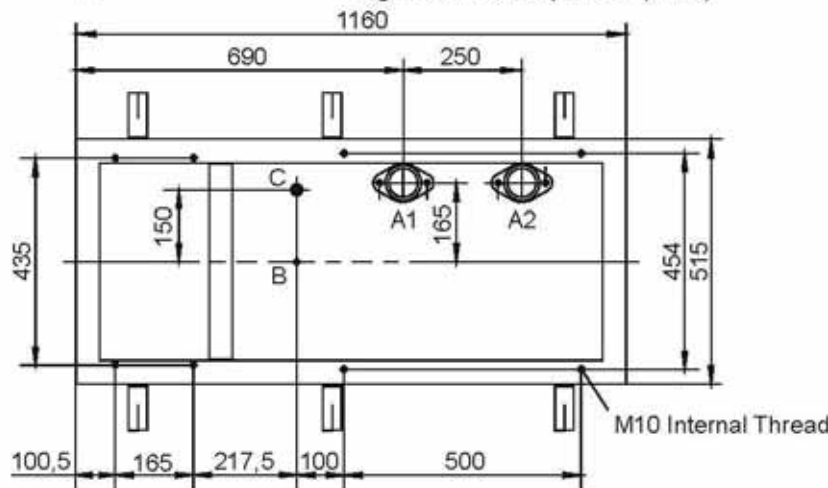


All Dimensions
in Millimetres

Option: Suction connection kit
140 826 683 For GPU-90
140 838 943 For GDP-120

Footprint Details

Right Side of Dispenser (RHS)



Key to Symbols
A1, A2 - Grade 1, 2
B - Cable Riser
C - Vapour Recovery

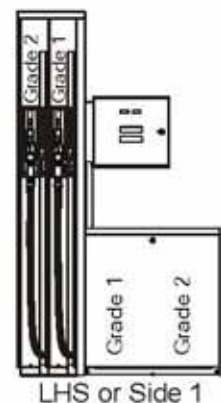
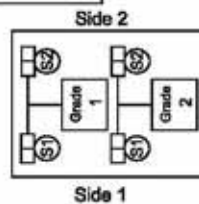
Subframe
Part No. - 140 868 481

Left Side of Dispenser (LHS)

It is recommended that Vapour Recovery return pipes
are installed where this may be a future requirement.

Module Configuration and Maximum Current

Suction Pump	Submerge Turbine Pump (STP)
<u>Motor supply, maximum current</u>	<u>Vapour Recovery, maximum current</u>
1 Phase Versions, 230V = 12,5 Amps	3 Phase Motors = 1,0 Amps
3 Phase Versions, 230V = 10,5 Amps	1 Phase Motors = 3,0 Amps
3 Phase Versions, 400V = 6,0 Amps	<u>Electronic supply, maximum current</u>
<u>Electronic supply, maximum current</u>	All Versions = 3,0 Amps
All Versions = 3,0 Amps	



	ЗАО «НЕФТЕПРОДУКТТЕХНИКА» Россия, 119334, Москва, ул. Бардина, 6/30 Тел./факс: (495) 725-04-34 http://www.neftprod.ru e-mail: inf@neftprod.msk.ru	Оборудование для АЗС Официальный дистрибьютор
--	--	--